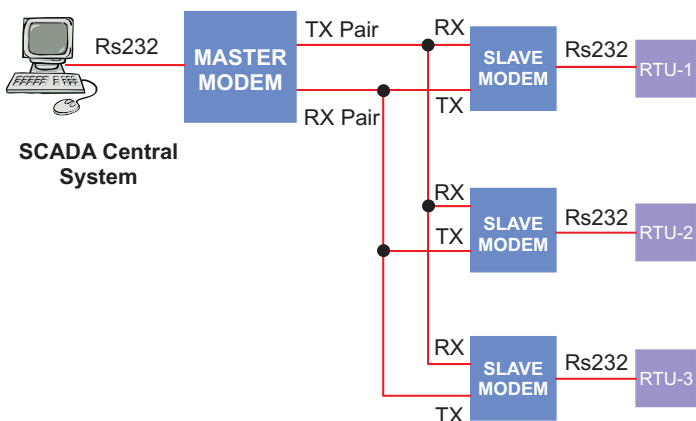


# TEAMLINK 2001 S SCADA MODEM

## Technical Specifications

- Communication speed : 1200, 600, 300bps
- Modulation : Frequency shift keying (FSK) at all speeds
- Standards : CCITT V.23 at 1200 and 600bps, V.21 at 300bps.
- Presentation : Standalone enclosure / Rack type
- DTE Interface : RS 232C
- Data format : Asynchronous
- Line Interface : 4 wire full/half duplex, 1120 Ohms.
- Transmit Out put Level : 0 to -31 dBm in 1 db steps
- Front Panel Indications : RTS,CTS,CD,RD,TD.
- RTS to CTS delay : 25 mS. for 300 bps & 8 mS. for 600/1200bps.
- Line connector : 4 Way Terminal Block
- RS 232 Connector : 25 pin D type female connector
- Diagnostics : Local analog, Local Digital loop back and Test Pattern Generation
- Configuration : Through Dip Switch Selection
- Environment : Operating Temperature - 5°C to 50°C Relative Humidity 0 - 90% non-cond.
- Power requirements : 24/48V DC, Multi outputs (or)230V AC, 50Hz
- Physical Dimensions : Width x Depth x Height = 221 x 161 x 70mm.
- Front Panel Size : Width x Height = 251 x 70 mm

## APPLICATION DIAGRAM



**TE Team Engineers**  
Solutions in Connectivity  
An ISO 9001 : 2008 Company

Plot No. A-1/2/A,  
Industrial Park ,Uppal,  
Hyderabad - 39,AP(India)  
Phone : +91-40-27204730 / 4873 / 4874,  
Fax : +91-40-2720 4731  
e-mail : [info@teamengineers.in](mailto:info@teamengineers.in)  
[www.teamengineers.in](http://www.teamengineers.in)